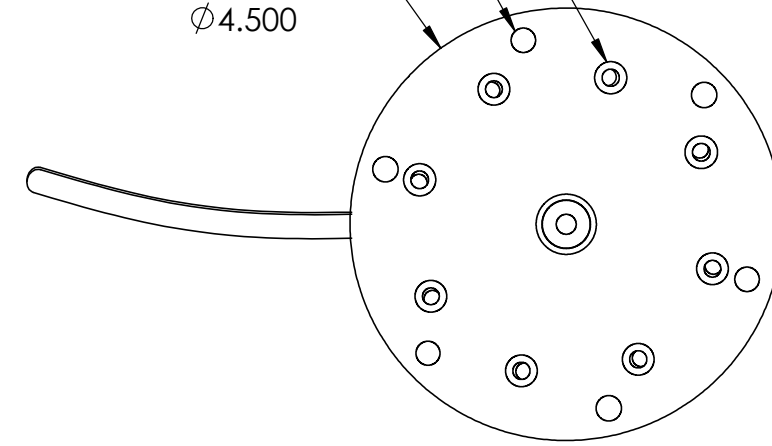
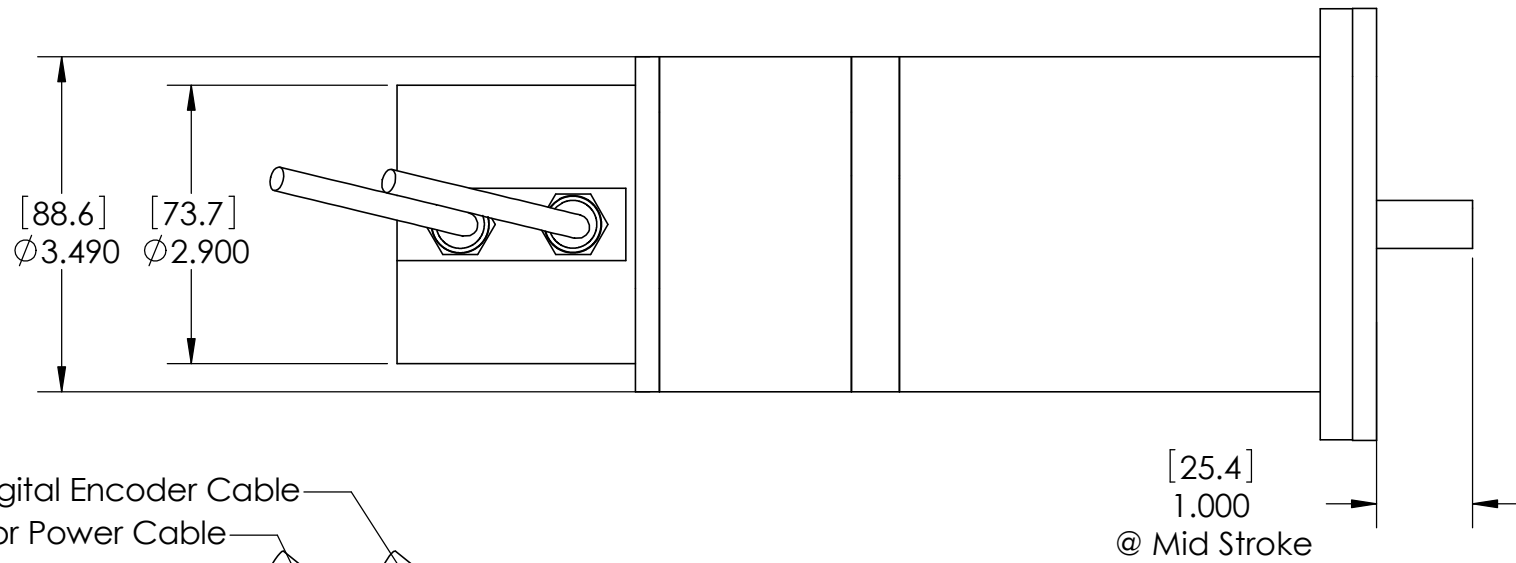


These drawings and specifications are the property of H2W Technologies, Inc. They are issued in confidence and shall not be reproduced, copied, or used without written permission from H2W Technologies, Inc.

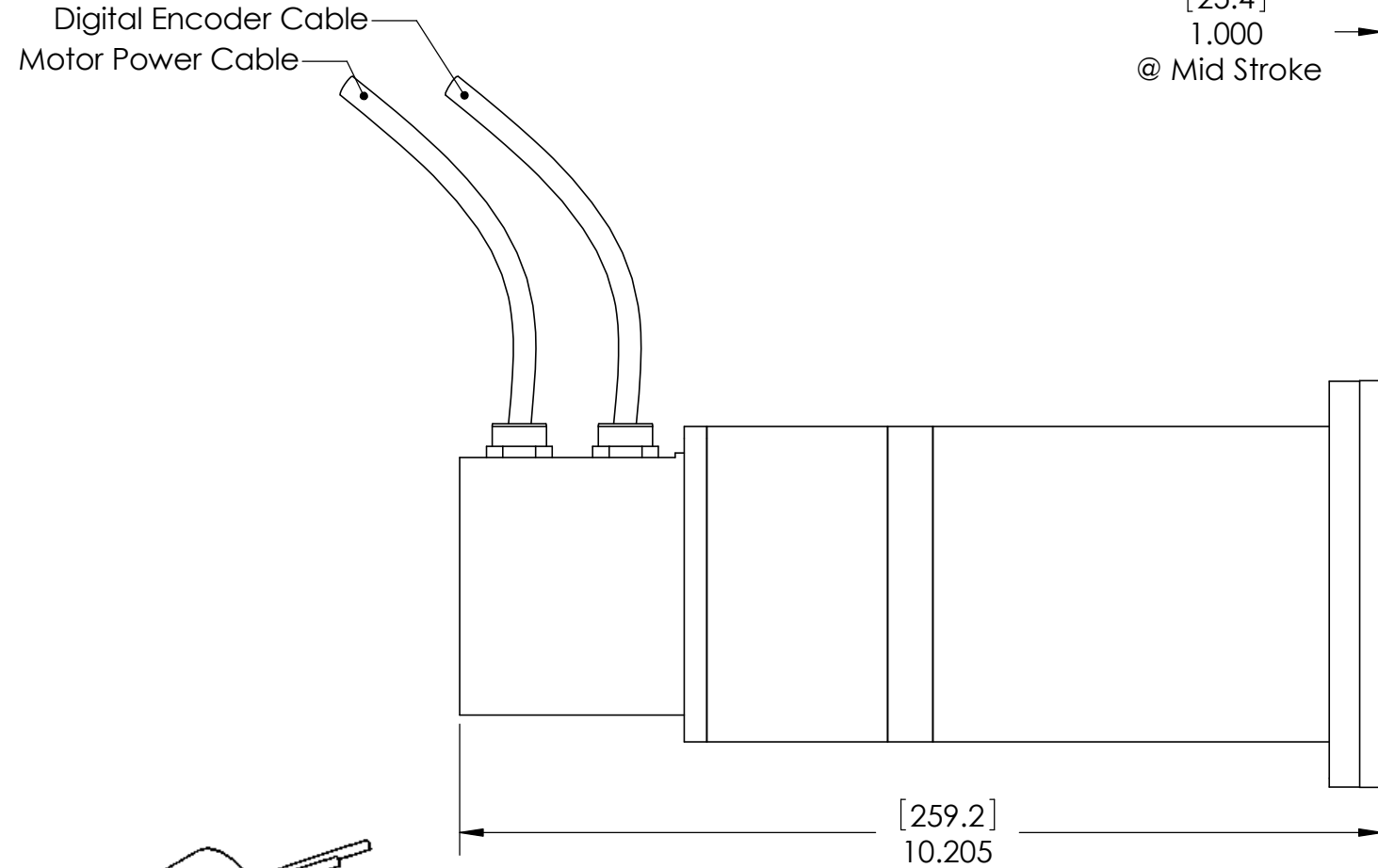
M6 Clearance Mounting Hole  
on a 100mm BC (3 @ 120°)

TAP M6 Mounting Hole  
on a 100mm BC (3 @ 120°)

[114.3]  
Ø4.500



Digital Encoder Cable  
Motor Power Cable

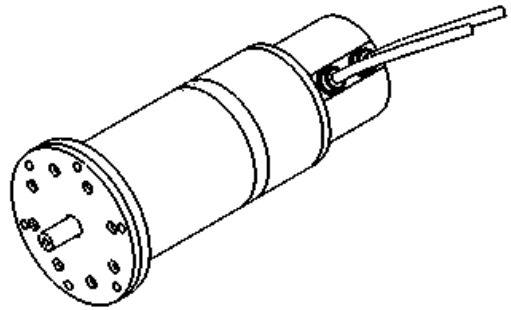


MOTION

Motion  
When + is connected to White,  
and - is connected to Black

**Notes:**

1. Motor is designed to be sealed against moisture and leaking magnetic flux.
2. The design includes a linear encoder that is in line with the shaft of the motor.



UNLESS SPECIFIED OTHERWISE:  
All dimensions are in inches  
Standard Tolerances are as follows  
.XXX ±.005 ANGLES ±1°  
.XX ±.010 FILLETS AND  
.X ±.020 CORNERS .010  
Remove All Burrs and Sharp Edges

RELEASED FOR MFG.			
DATE	4-26-04		
BY	<i>[Signature]</i>		
MATERIAL			
FINISH			
DRAWN	DATE	APPROVED	DATE
OOG	3-29-04	FGW	3-29-04

<b>H2W Technologies, Inc.</b>		
28310-C Ave Crocker Valencia, CA 91355 USA Tel: (661)-702-9346 Fax: (661)-702-9348 www.h2wtech.com		
TITLE Moving Magnet Non-Comm DC Linear Actuator Model# NCM04-35-250-2LVE		
DWG #	REV	ECN
<b>30-0296</b>	<b>C</b>	

<b>MOVING MAGNET NON-COMM ACTUATOR SPECIFICATIONS</b>		
Motor P/N	NCM04-25-250-2LVE	
Stroke	0.40"	10.2 mm
Radial Clearance	N/A in	N/A mm
Bearing Type	Sealed Linear Bushings	
Moving Mass	4.63 lbs	2100 grams
Total Mass	14.0 lbs	6360 grams
Resistance @ 20C	2.0 ohms	
Inductance @ 20C	0.65 mH	
Electrical Time Constant	0.33 msec	
Motor Constant	2.90 LBS/SQRT(Watt)	12.9 N/SQRT(Watt)
Force Constant	4.1 LBS/Amp	18.1 N/Amp
Back EMF	0.46 V/ips	18.1 V/m/sec
Continuous Force	25 LBS	111 N
Max Power @ 100% Duty	74 Watts	
Peak Force	75 LBS	334 N
Max Power @ 10% Duty	670 Watts	